

Tree Protection Fencing Specification

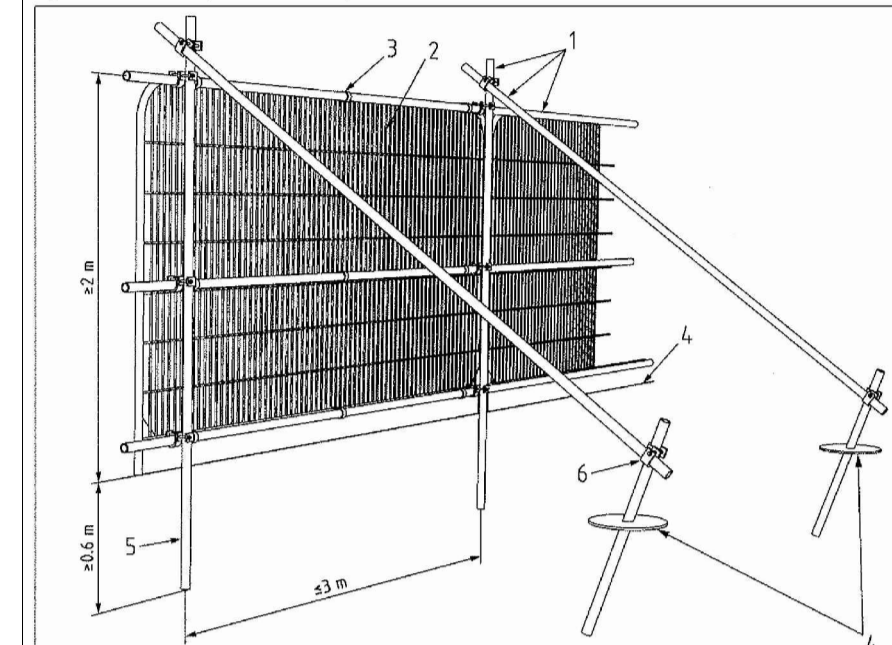
- i) All the trees to be retained on site are to be protected by fencing as per BS5837: 2012.
- ii) The fence shall be installed no closer than shown on this drawing.
- iii) The area beneath the tree and between the trunk of the tree and the fence will be kept clear and undisturbed at all times. No materials shall be stored within the fenced area; the levels of the land within the fenced area shall not be altered, and no seepage of oils, fuels or chemicals (including cement and cement washings) which may be harmful to trees shall be allowed onto the fenced area.
- iv) No trenches for service runs, or any other excavations shall take place within the fenced area.
- v) No soil or other surface material shall be removed from the fenced area.
- vi) No fixing made to any tree, and all possible precautions taken to prevent damage to tree roots when locating posts.

Note

Tree protection areas identified around existing trees retained. Areas hatched grey represent a 'construction exclusion zone' where tracking of plant, materials storage and other construction activities etc. are excluded for purposes of protecting tree health.

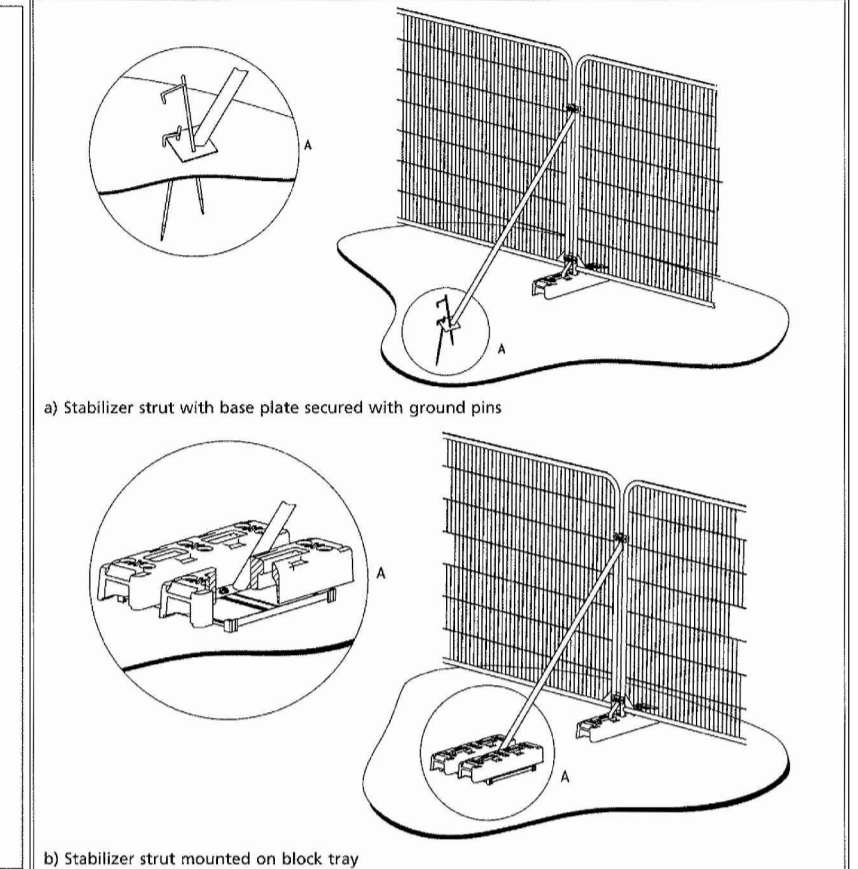
Managed construction processes and construction working areas within the RPAs and/or canopy spreads of existing retained trees will be permitted and include the temporary displacement of protection fencing for this purpose. In such areas, (blue cross-hatched) all works to be managed in accordance with guidance contained within URS Tree Survey Report.

Figure 2 Default specification for protective barrier



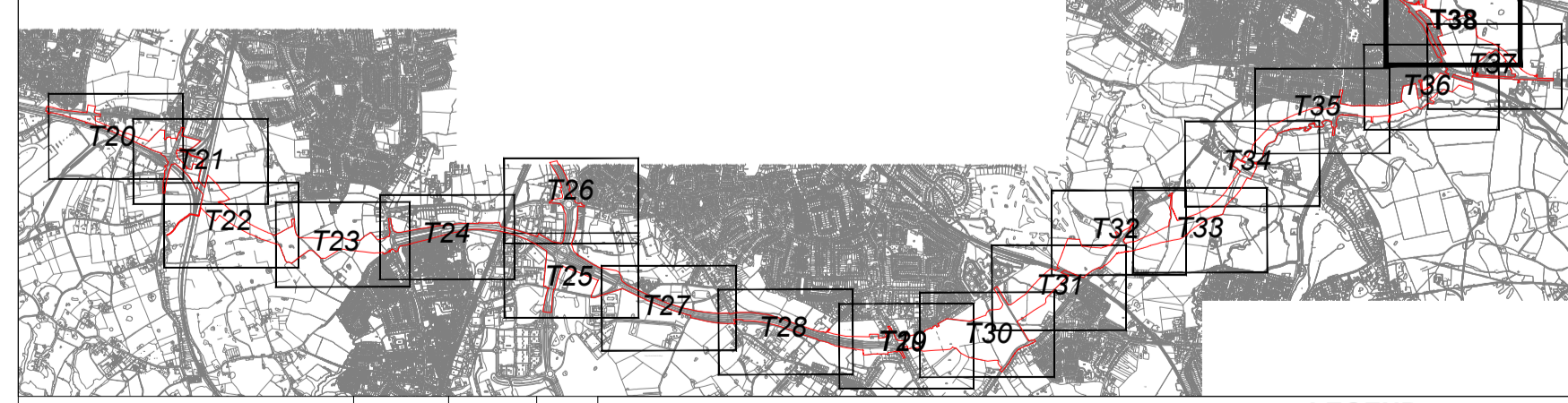
- Key**
- 1 Standard scaffold poles
 - 2 Heavy gauge 2 m tall galvanized tube and welded mesh infill panels
 - 3 Panels secured to uprights and cross-members with wire ties
 - 4 Ground level
 - 5 Uprights driven into the ground until secure (minimum depth 0.6 m)
 - 6 Standards scaffold clamps

Figure 3 Examples of above-ground stabilizing systems



Note: Localised areas of trees and woody vegetation within the red line Planning Application boundary but not referenced on site plans or within the Schedule of Existing Trees, will be retained protected during construction operations.

Location Plan (Scale 1:50,000)



Plans updated with new red line planning boundary	CC/TA	15/10/13	B
Plans updated with new red line planning boundary	CC/TA	23/09/13	A
Revision Details	By	Date	Suffix
	Check		
Drawing Status	PLANNING		

LEGEND

- EXISTING RETAINED TREE, GROUP OR HEDGE
- EXISTING TREE, GROUP OR HEDGE TO BE REMOVED. (WHERE TREES ARE SHOWN TO BE REMOVED FALL WITHIN TREE PROTECTION FENCING AREA THESE TREES MAY BE COPICED AT GROUND LEVEL & ROOTS TO REMAIN OTHERWISE UNDISTURBED)
- TREE PROTECTION FENCING & CONSTRUCTION EXCLUSION ZONE (SEE NOTES FOR FENCING DETAIL & SPECIFICATION)
- CONSTRUCTION WORKING AREAS, ARBORICULTURAL METHOD STATEMENT & TARGET NOTE
- INDICATES ROOT PROTECTION AREAS - AS DEFINED BY BS 5837:2012
- PLANNING BOUNDARY
- EXTENT OF GROUPED TREES OR OTHER ARBOREAL FEATURES

Note: Plans to be read in conjunction with URS Tree Survey Report

Job Title
A6 TO MANCHESTER AIRPORT RELIEF ROAD

Drawing Title
TREE PROTECTION PLAN (SHEET 19 OF 19)

Scale at A1 1:1250 (or as shown)	Approved AK
Drawn CCC	Originated PLY LAND
Stage 1 check TA	Date 09/09/13
THIS DRAWING MAY BE USED ONLY FOR THE PURPOSE INTENDED AND ONLY WRITTEN DIMENSIONS SHALL BE USED	

URS Infrastructure & Environment UK Limited
4th Floor, Bridgehouse House
Winchester Street
Manchester, M1 6LT
United Kingdom
T +44 (0)161 975500
F +44 (0)161 975505
www.ursinfra.com

URS

Drawing Number
47064524 - T38

Rev
B

Plot Date : 47064524 - TREE SURVEY PLAN

DB1H